

240V LED Bunkalite Installation & Maintenance Instruction Leaflet



Victoria (Head Office & Manufacturing)

Website: www.clevertronics.com.au

Email: info@clevertronics.com.au

Phone: +61 3 9559 2700

Fax: +61 3 9559 2799

New South Wales

Phone: +61 2 8805 6400

Fax: +61 2 8805 6444

Queensland

Phone: +61 7 3442 9700

Fax: +61 7 3442 9777

South Australia/Northern Territory

Phone: +61 8 8301 8800

Fax: +61 8 8351 8286

Western Australia

Phone: +61 8 9207 0000

Fax: +61 8 9207 0088

New Zealand

Phone: +64 800 548 448

Models:

FBKLED-vv-xx-yy-zz-uu

Options:

Microwave Sensor	xx = MS
DALI LED Driver	zz = RL
Black in Colour	zz = BLK
Warm White	vv = WW
Inline Filters	uu = FLT

Spare Parts:

8011801	Replacement Emergency Driver
8002802	Replacement Emergency Driver (-WW Option)
1331101-B	Replacement 240V Driver
1330045	Replacement 240V Driver (-DD option)
1190310	Replacement Microwave Sensor

Important:

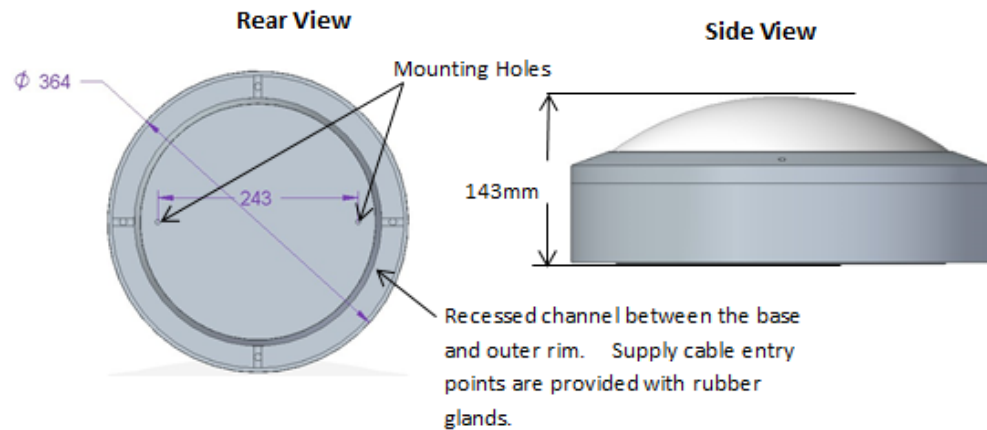
It is illegal for anyone, except for a licensed electrician to install or maintain this product. Before installation, ensure that the electricity supply has been switched off and isolated. Installation must be carried out in accordance with the relevant Australian and International Standards.

Installation:

The LED Bunkalite (FBKLED) can be installed either Ceiling or Wall Mounted.

- Remove the four (4) screws holding the ring to the fitting.
- Remove the four (4) screws holding the gear tray to the base.
- At this point you must decide if the supply cable entry will be via the entry point provided, in the channel recess between the outer-rim and the base, or if a new cable entry is to be drilled into the rear of the base. NOTE: if you choose to use the cable entry point provided the luminaire cannot be positioned/centred over the supply cable point on the wall or ceiling. The supply cable must line up with the recessed channel as shown below.
- Using the base as a guide, mark 2 holes for mounting and one for mains access.
- Mount the base using appropriate fixings and seal these fixings with silicone (fill any additional entry points with silicone also)
- Route the power inside the base.
- Connect the 240VAC (A, E, N) supply to the terminal block of the gear tray.
- Connect the DALI Lines to the terminals marked "DA DA" on the gear tray.
- Install the gear tray to the base.
- Apply power to the fitting and test per the instructions.

Dimensions:



Maintenance:

Lamp Replacement:

- Use only the LED panel inside the Bunkalite and listed on this instruction
- To replace the LED panel, remove the screws, disconnect the signal wires and install the new LED panel

Caution:

On many building sites, power circuits may be cut off in an uncontrolled and repetitive basis during construction. As a result, any Exit & Emergency Units, on these circuits, will have their batteries discharged or "cycled". The battery in this fitting has been selected to give excellent long-life performance in a controlled AS2293 testing environment. Excessive battery cycling will reduce through-life performance and may lead to premature battery failure. Battery warranty claims, as a result of such abuse, are specifically EXCLUDED from Clevertronics warranty terms.

Warranty:

For Product Warranty information and Terms and Conditions of Sales please refer to our website <http://clevertronics.com.au/terms-conditions-sale-australia-nz/>